



RTA

00000110010001111010

10101111

RTA >

Welded cabinet with demountable side panels and back panel, IP 20, loading capacity 1200/1500 kg



■ Enlarged skeleton rails

Allow installation of accessories - PDU, cable and patch cord management etc.



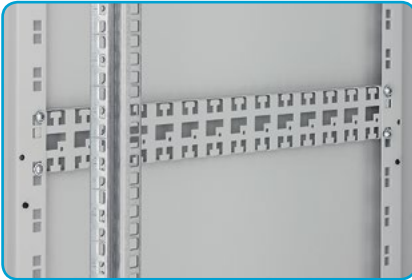
■ Sliding rail fixed at four points

Cold-rolled steel 2,5 mm.



■ Triton handle

Just by replacing the plastic inlet (is not part of supply) you can choose classic or half-cylindric lock. Patent: PUV 2013-27443



■ RAC-VP-D5x-X1

Accessory - horizontal cable management (optional accessory).



■ Power distribution units installed in skeleton

(optional accessory)



■ RAX-VP-Vxx-X2

Accessory - vertical cable management in skeleton (optional accessory).



■ RAC-IP-X01-X1

Rails for the increased IP30 protection (optional accessory).



Cabinet is presented including the optional accessories – cable management system.



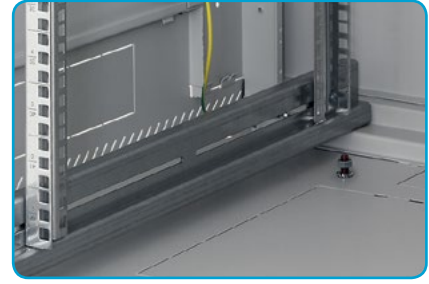
■ Perforated skeleton rails

Square perforation for the captive nuts alongside whole height of the rail in the unit span allows additional accessory installation.

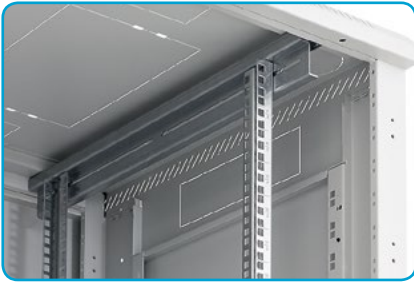


■ Laser unit marking

19" vertical rails (zinc-coated 2 mm cold-rolled steel) are laser marked at every installation unit.

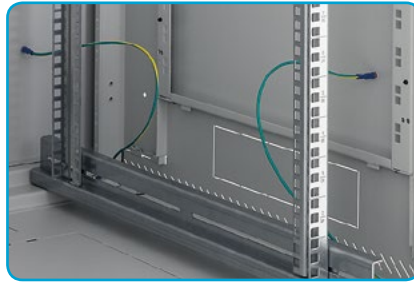


■ Main earthing point M8



■ Strengthened skeleton

Cold-rolled steel 1,3 mm.



■ Bonding

All detachable parts are bonded in accordance to appropriate standard.



■ Break-out cable entries

Large amount to cable entries allows comfortable installation cable also as patch-rod guiding.



■ Hook-on hinges

Standard hinges can be replaced by comfortable to use hook-on version.



■ Fringe edge

Supply includes 1 m.



■ Flex frame

Cabinets with 800 mm width have system, which allows installation of sliding rails in a span of 19", 21" and 23".



RTA – width 600 mm 37-47 units, width 800 mm 15-47 units.



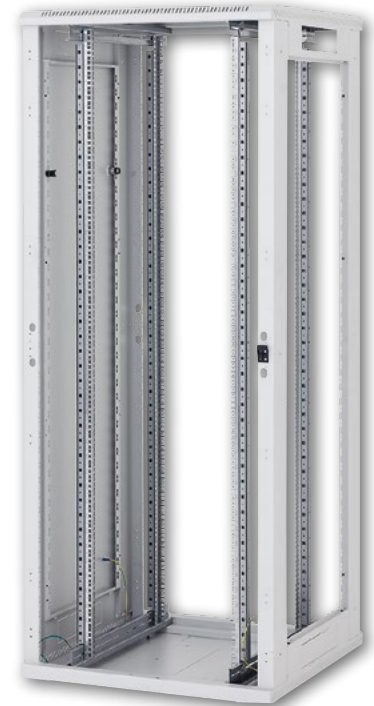
Load increase from 1200 to 1500 kg



19" rail strength member
Close profile (4 pcs) - 1,5 mm cold-rolled steel. It increases the loading capacity of the cabinet up to 1500 kg.



Recommended strengthening kit
Kit for 800 mm wide cabinets increase cabinet stability and provide cable management.



19" rail strength member

Type	Cabinet height in units	Weight gross (kg)	Weight net (kg)
RAX-VR-T37-X2	37	6,3	6,2
RAX-VR-T42-X2	42	7,1	7,0
RAX-VR-T45-X2	45	7,7	7,6
RAX-VR-T47-X2	47	8,0	7,9

Recommended strengthening kit

Type	Cabinet height in units	Cabinet width (mm)	Cabinet depth (mm)	Weight gross (kg)	Weight net (kg)
RAX-VR-T37-Y6	37	800	600	12,1	11,4
RAX-VR-T37-Y8	37	800	800	13,8	13,1
RAX-VR-T37-Y9	37	800	900	14,6	13,9
RAX-VR-T37-Y1	37	800	1000	15,4	14,7
RAX-VR-T37-Y0	37	800	1100	16,3	15,6
RAX-VR-T37-Y2	37	800	1200	17,1	16,4
RAX-VR-T42-Y6	42	800	600	13,4	12,7
RAX-VR-T42-Y8	42	800	800	15,1	14,4
RAX-VR-T42-Y9	42	800	900	16,8	16,1
RAX-VR-T42-Y1	42	800	1000	16,8	16,1
RAX-VR-T42-Y0	42	800	1100	17,6	16,9
RAX-VR-T42-Y2	42	800	1200	18,4	17,7
RAX-VR-T45-Y6	45	800	600	14,3	13,6
RAX-VR-T45-Y8	45	800	800	16,0	15,3
RAX-VR-T45-Y9	45	800	900	15,9	15,2
RAX-VR-T45-Y1	45	800	1000	17,6	16,9
RAX-VR-T45-Y0	45	800	1100	18,5	17,8
RAX-VR-T45-Y2	45	800	1200	19,3	18,6
RAX-VR-T47-Y6	47	800	600	14,8	14,1
RAX-VR-T47-Y8	47	800	800	16,5	15,8
RAX-VR-T47-Y9	47	800	900	17,4	16,7
RAX-VR-T47-Y1	47	800	1000	18,2	17,5
RAX-VR-T47-Y0	47	800	1100	19,0	18,3
RAX-VR-T47-Y2	47	800	1200	19,9	19,2

RTA 600 x 600

Type	A	B	C	D	E	Weight gross (kg)	Weight net (kg)	Maximal recommended load (kg)
	(mm)							
RTA-37-A66-CAX-A1	1750	1648	487	600	600	83,9	78,4	1200
RTA-42-A66-CAX-A1	1970	1868	487	600	600	92,0	86,4	
RTA-45-A66-CAX-A1	2105	2003	487	600	600	96,1	90,4	1500*
RTA-47-A66-CAX-A1	2194	2092	487	600	600	98,7	93,0	

RTA 600 x 800

Type	A	B	C	D	E	Weight gross (kg)	Weight net (kg)	Maximal recommended load (kg)
	(mm)							
RTA-37-A68-CAX-A1	1750	1648	487	600	800	95,6	89,8	1200
RTA-42-A68-CAX-A1	1970	1868	487	600	800	104,5	98,6	
RTA-45-A68-CAX-A1	2105	2003	487	600	800	108,9	103,0	1500*
RTA-47-A68-CAX-A1	2194	2092	487	600	800	111,9	106,0	

RTA 600 x 900

Type	A	B	C	D	E	Weight gross (kg)	Weight net (kg)	Maximal recommended load (kg)
	(mm)							
RTA-37-A69-CAX-A1	1750	1648	487	600	900	101,3	95,4	1200
RTA-42-A69-CAX-A1	1970	1868	487	600	900	110,5	104,5	
RTA-45-A69-CAX-A1	2105	2003	487	600	900	115,2	109,2	1500*
RTA-47-A69-CAX-A1	2194	2092	487	600	900	118,3	112,3	

RTA 600 x 1000

Type	A	B	C	D	E	Weight gross (kg)	Weight net (kg)	Maximal recommended load (kg)
	(mm)							
RTA-37-A61-CAX-A1	1750	1648	487	600	1000	107,2	101,0	1200
RTA-42-A61-CAX-A1	1970	1868	487	600	1000	116,7	110,5	
RTA-45-A61-CAX-A1	2105	2003	487	600	1000	121,7	115,4	1500*
RTA-47-A61-CAX-A1	2194	2092	487	600	1000	124,9	118,7	

RTA 600 x 1100

Type	A	B	C	D	E	Weight gross (kg)	Weight net (kg)	Maximal recommended load (kg)
	(mm)							
RTA-37-A60-CAX-A1	1750	1648	487	600	1100	113,7	106,7	1200
RTA-42-A60-CAX-A1	1970	1868	487	600	1100	123,6	116,5	
RTA-45-A60-CAX-A1	2105	2003	487	600	1100	128,7	121,7	1500*
RTA-47-A60-CAX-A1	2194	2092	487	600	1100	132,1	125,0	

RTA 600 x 1200

Type	A	B	C	D	E	Weight gross (kg)	Weight net (kg)	Maximal recommended load (kg)
	(mm)							
RTA-37-A62-CAX-A1	1750	1648	487	600	1200	117,7	110,4	1200
RTA-42-A62-CAX-A1	1970	1868	487	600	1200	129,9	122,6	
RTA-45-A62-CAX-A1	2105	2003	487	600	1200	135,3	127,9	1500*
RTA-47-A62-CAX-A1	2194	2092	487	600	1200	138,7	131,3	

* With using of strengthening members of vertical rails.

RTA 800 x 600

Type	A	B	C	D	E	Weight gross (kg)	Weight net (kg)	Maximal recommended load (kg)
	(mm)							
RTA-15-A86-CAX-A1	770	668	687	800	600	55,7	50,1	1200 1500*
RTA-18-A86-CAX-A1	900	798	687	800	600	60,3	54,7	
RTA-22-A86-CAX-A1	1080	978	687	800	600	66,7	61,0	
RTA-27-A86-CAX-A1	1300	1198	687	800	600	74,6	68,7	
RTA-32-A86-CAX-A1	1525	1423	687	800	600	82,5	76,6	
RTA-37-A86-CAX-A1	1750	1648	687	800	600	93,9	87,8	
RTA-42-A86-CAX-A1	1970	1868	687	800	600	102,8	96,6	
RTA-45-A86-CAX-A1	2105	2003	687	800	600	107,3	101,1	
RTA-47-A86-CAX-A1	2194	2092	687	800	600	110,2	104,0	

RTA 800 x 800

Type	A	B	C	D	E	Weight gross (kg)	Weight net (kg)	Maximal recommended load (kg)
	(mm)							
RTA-15-A88-CAX-A1	770	668	687	800	800	65,8	59,5	1200 1500*
RTA-18-A88-CAX-A1	900	798	687	800	800	70,9	64,5	
RTA-22-A88-CAX-A1	1080	978	687	800	800	79,1	72,7	
RTA-27-A88-CAX-A1	1300	1198	687	800	800	86,4	79,8	
RTA-32-A88-CAX-A1	1525	1423	687	800	800	95,1	88,5	
RTA-37-A88-CAX-A1	1750	1648	687	800	800	107,2	100,4	
RTA-42-A88-CAX-A1	1970	1868	687	800	800	116,9	109,9	
RTA-45-A88-CAX-A1	2105	2003	687	800	800	121,8	114,8	
RTA-47-A88-CAX-A1	2194	2092	687	800	800	125,1	118,1	

RTA 800 x 900

Type	A	B	C	D	E	Weight gross (kg)	Weight net (kg)	Maximal recommended load (kg)
	(mm)							
RTA-15-A89-CAX-A1	770	668	687	800	900	70,5	63,5	1200 1500*
RTA-18-A89-CAX-A1	900	798	687	800	900	75,8	68,8	
RTA-22-A89-CAX-A1	1080	978	687	800	900	83,0	76,0	
RTA-27-A89-CAX-A1	1300	1198	687	800	900	92,0	84,8	
RTA-32-A89-CAX-A1	1525	1423	687	800	900	101,1	93,8	
RTA-37-A89-CAX-A1	1750	1648	687	800	900	113,6	106,1	
RTA-42-A89-CAX-A1	1970	1868	687	800	900	123,6	116,0	
RTA-45-A89-CAX-A1	2105	2003	687	800	900	128,7	121,1	
RTA-47-A89-CAX-A1	2194	2092	687	800	900	132,2	124,5	

RTA 800 x 1000

Type	A	B	C	D	E	Weight gross (kg)	Weight net (kg)	Maximal recommended load (kg)
	(mm)							
RTA-15-A81-CAX-A1	770	668	687	800	1000	75,2	68,0	1200 1500*
RTA-18-A81-CAX-A1	900	798	687	800	1000	88,2	80,9	
RTA-22-A81-CAX-A1	1080	978	687	800	1000	97,5	90,1	
RTA-27-A81-CAX-A1	1300	1198	687	800	1000	107,0	99,5	
RTA-32-A81-CAX-A1	1525	1423	687	800	1000	119,8	112,2	
RTA-37-A81-CAX-A1	1750	1648	687	800	1000	130,2	122,4	
RTA-42-A81-CAX-A1	1970	1868	687	800	1000	135,6	127,8	
RTA-45-A81-CAX-A1	2105	2003	687	800	1000	139,2	131,4	
RTA-47-A81-CAX-A1	2194	2092	687	800	1000	126,0	120,0	

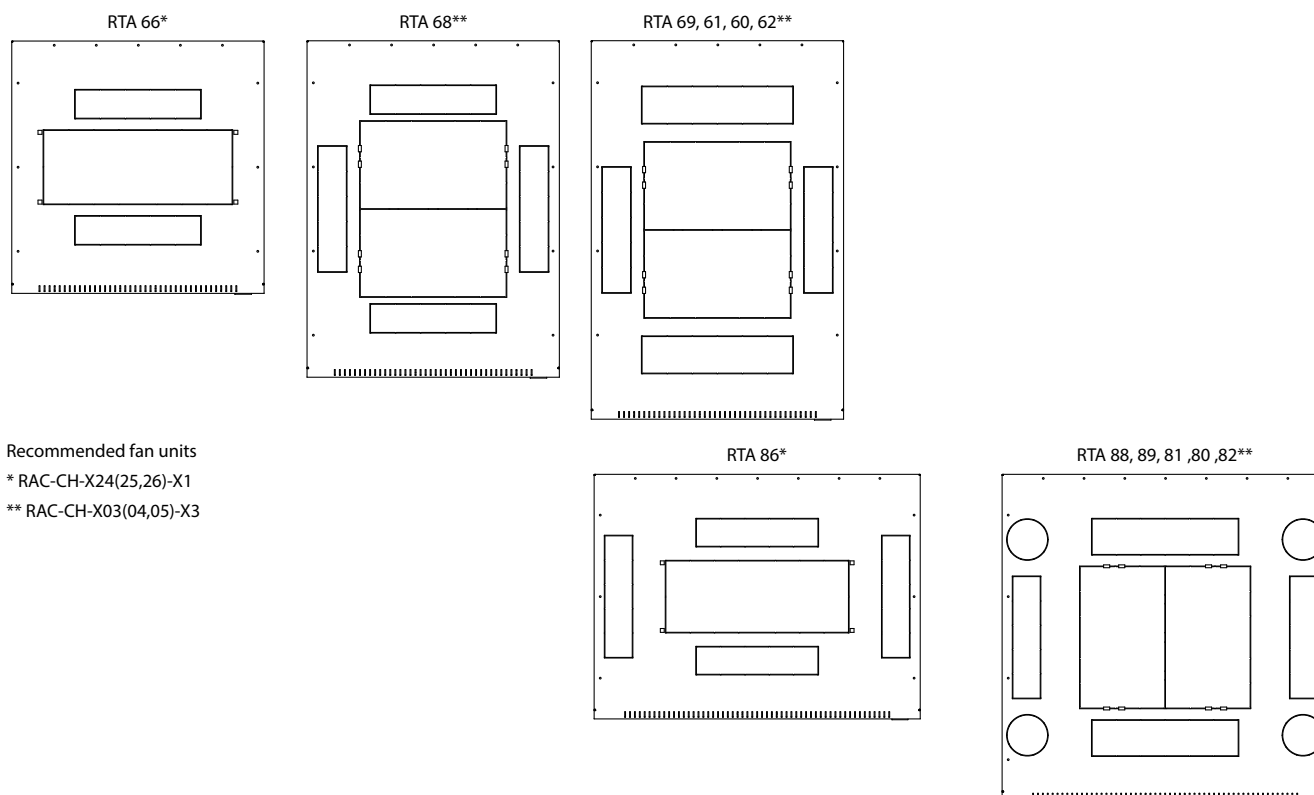
RTA 800 x 1100

Type	A	B	C	D	E	Weight gross (kg)	Weight net (kg)	Maximal recommended load (kg)
	(mm)							
RTA-15-A80-CAX-A1	770	668	687	800	1100	79,7	72,8	1200 1500*
RTA-18-A80-CAX-A1	900	798	687	800	1100	85,1	78,1	
RTA-22-A80-CAX-A1	1080	978	687	800	1100	92,9	85,9	
RTA-27-A80-CAX-A1	1300	1198	687	800	1100	102,6	95,5	
RTA-32-A80-CAX-A1	1525	1423	687	800	1100	112,4	105,2	
RTA-37-A80-CAX-A1	1750	1648	687	800	1100	125,6	118,3	
RTA-42-A80-CAX-A1	1970	1868	687	800	1100	136,4	128,9	
RTA-45-A80-CAX-A1	2105	2003	687	800	1100	142,0	134,4	
RTA-47-A80-CAX-A1	2194	2092	687	800	1100	145,7	138,1	

RTA 800 x 1200

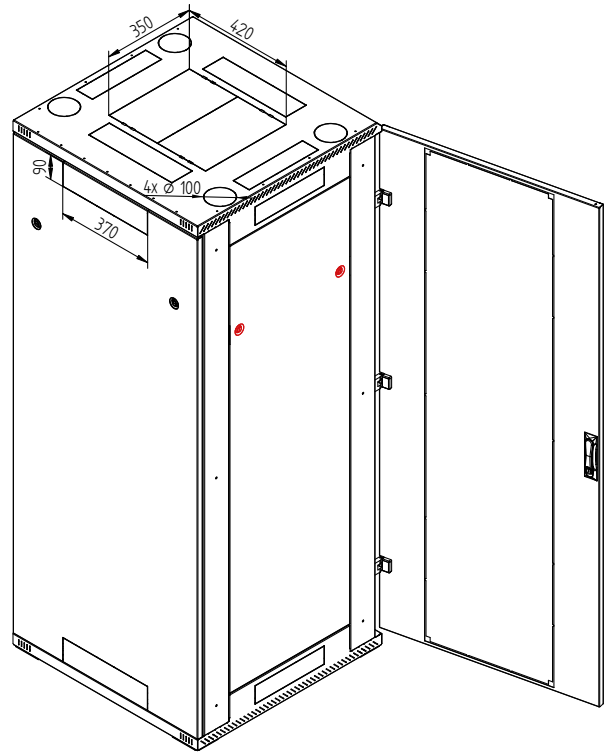
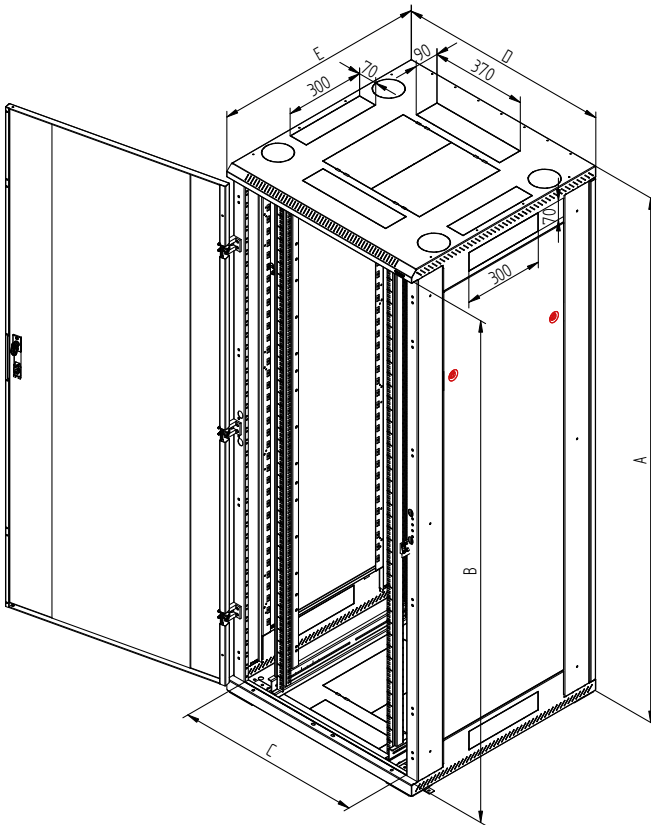
Type	A	B	C	D	E	Weight gross (kg)	Weight net (kg)	Maximal recommended load (kg)
	(mm)							
RTA-15-A82-CAX-A1	770	668	687	800	1200	83,9	76,9	1200 1500*
RTA-18-A82-CAX-A1	900	798	687	800	1200	89,8	82,8	
RTA-22-A82-CAX-A1	1080	978	687	800	1200	98,0	90,9	
RTA-27-A82-CAX-A1	1300	1198	687	800	1200	108,0	100,8	
RTA-32-A82-CAX-A1	1525	1423	687	800	1200	118,2	110,9	
RTA-37-A82-CAX-A1	1750	1648	687	800	1200	129,9	122,4	
RTA-42-A82-CAX-A1	1970	1868	687	800	1200	142,9	135,3	
RTA-45-A82-CAX-A1	2105	2003	687	800	1200	148,7	141,1	
RTA-47-A82-CAX-A1	2194	2092	687	800	1200	152,6	145,0	

* With using of strengthening members of vertical rails.

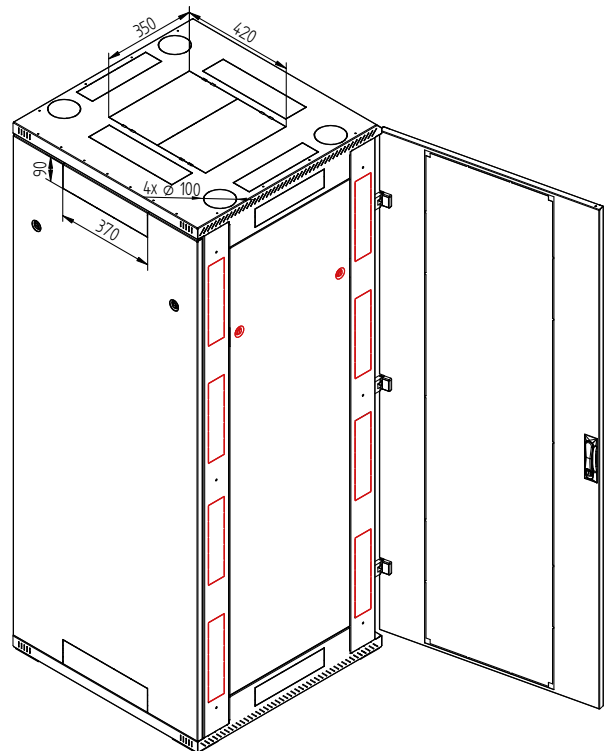
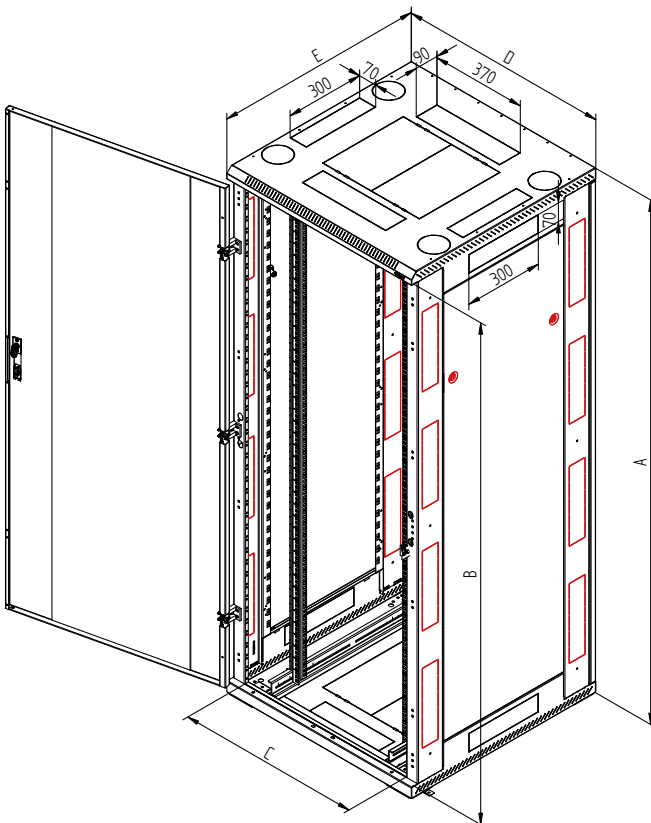




Variant A1

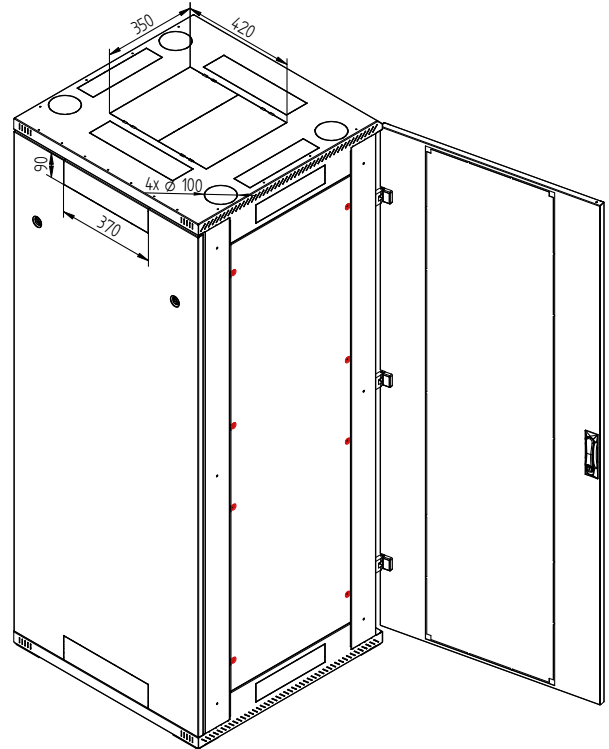
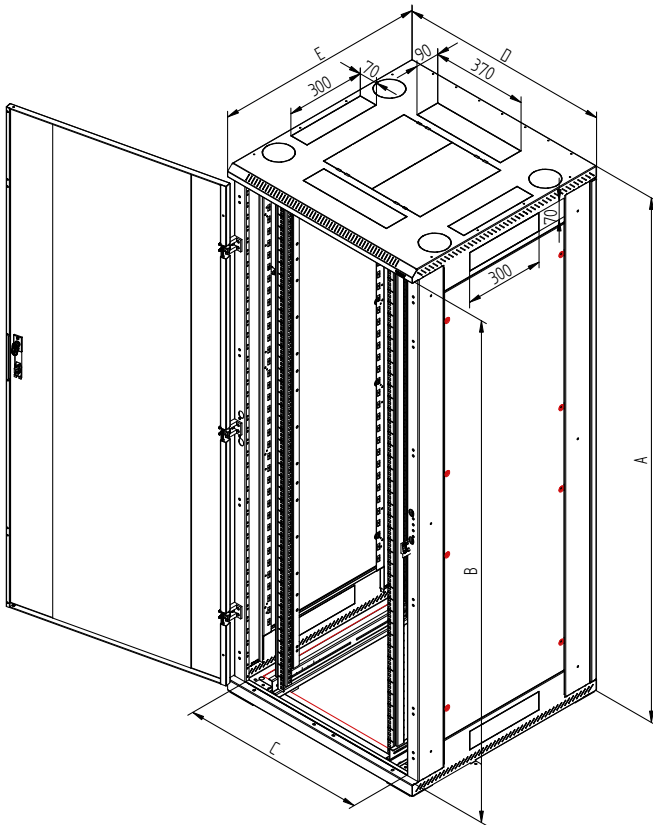


Variant A5

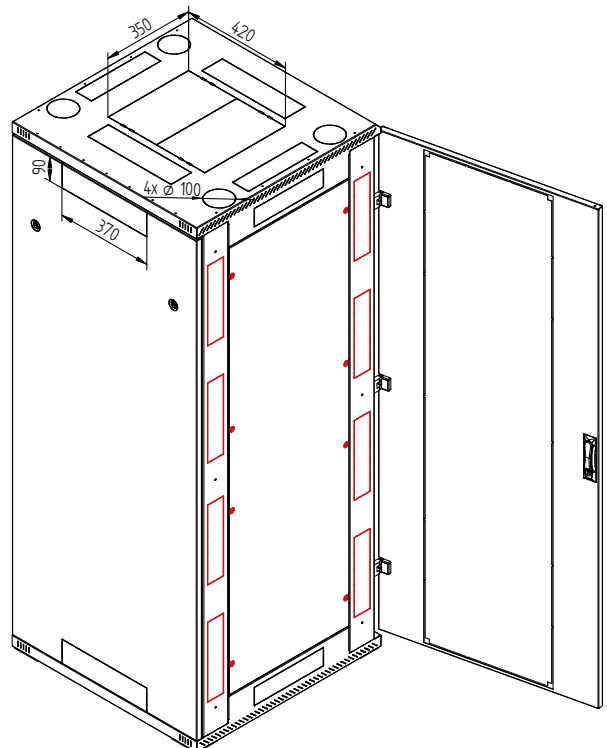
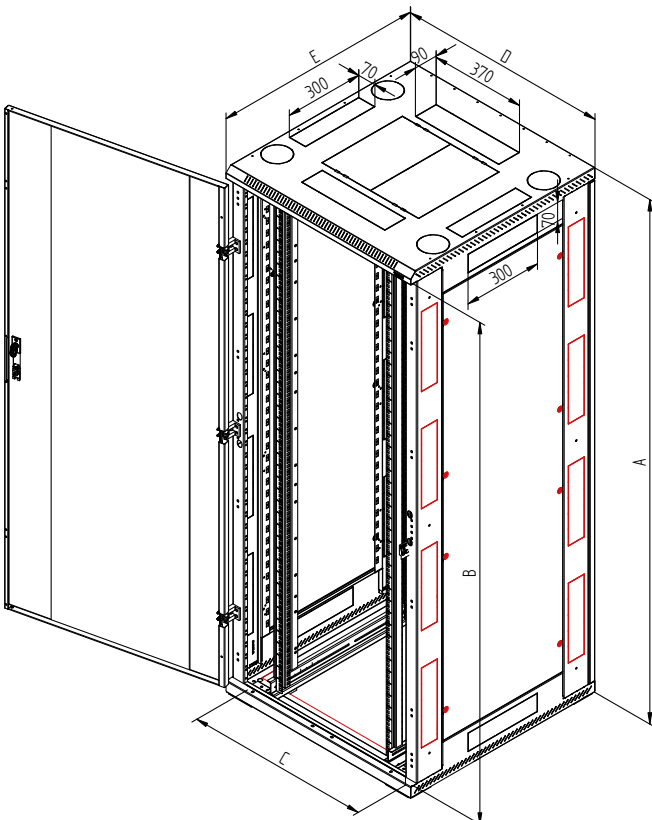




Variant A3 for data centers



Variant A7 for data centers





Server cabinet RTA

■ Description, purpose of use

- 19" free-standing cabinet with IP20 protection
- Cabinet includes 4 sliding vertical rails for device mounting (6 rails for cabinets deeper than 800 mm).
- Cabinet construction:
 - Welded steel frame with removable side panels
 - Single or double doors in all metal versions, perforated (80% and 86 % air permeability) or glazed with safety tempered glass 4 mm. They can be on the front or back of the cabinet.
 - Preparation for installation of vertical cable management panels and power distribution units
 - Preparation for joining the cabinets together
 - A5 and A7 version have a breakout cable entries in the frame for the cabling between cabinets
- The maximum recommended load of cabinet is 1200 kg, maximum load of the door is 20 kg.
- The racks are designed for installation of data and telecommunication equipment and distribution systems.
- The frame of the cabinet and all the removable parts (side and rear covers, doors...) are bonded with patch cables that have to be properly fixed and inserted into connectors throughout the period of use of the cabinet.
- There is one M8 screw placed on the bottom part of the cabinet to connect the earthing wire.
- Can be mounted on castors and levelling feet (models A1 and A5).
- Cable openings covered with breakout-type blanking panels are placed in the top and the bottom part of the cabinet.

■ Operating conditions

- Operating environment:
 - Office
 - The cabinet is not intended for outdoor installations and for installations in environment that can influence negatively the functionality of the cabinet and the mounted devices (e.g. environment with danger of explosion)
- Must be protected against:
 - Mechanical damage
 - Improper handling
 - A different usage than the cabinet is intended for
- Improper handling is especially:
 - Overloading (exceeding the maximum recommended load)
 - Installing devices which may negatively influence the operation and function of the cabinet or the installed equipment.
 - Change of the construction or design of the cabinet

■ Installation of the cabinet

- To ensure the maximum recommended load, it is necessary to distribute the load equally.
- Place the cabinet on a flat floor and adjust any differences using the levelling feet (included in the supply of the cabinet).
- To avoid dust penetration in the case where cables lead through some of the cable openings, it may be sealed with a blanking panel with a brush or secured by a protective frame (both are included in the supply of the cabinet).

■ Environmental protection

- All parts are made of recyclable materials and after decommissioning the cabinet, it must be disposed of according to relevant regulations

■ Certificate and conformity

- This product is fully in accordance with ČSN EN 62208 ed.2:2012(EN 62208:2011).